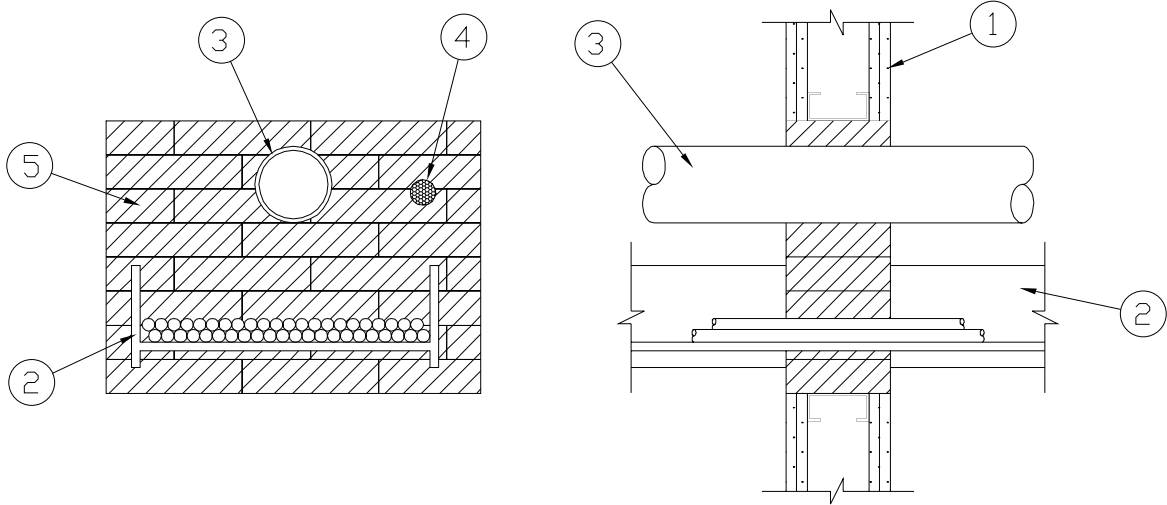


multiple service penetration

Test Report UL WL-8013

Integrity up to 2hrs.

UL WL 8013



1. Wall: Concrete, masonry, drywall
2. Cable tray – steel or aluminum
3. Metal pipe up to 165mm – steel or
up to 110mm – copper
4. Various types of electrical cable
5. CP 657 Firestop Flexible Bricks – stretcher installation

Hilti (Gt. Britain) Limited
 1 Trafford Wharf Road
 Trafford Park, Manchester M17 1BY
 Freephone: 0800 886 100
 Freefax: 0800 866 200

The test utilised the general principles of BS476: Part20: 1987, in conjunction with additional guidelines adopted from the draft document CEN/TC 127 N579

All errors and omissions excepted. All installations must be fully in accordance with Hilti application instructions. If in doubt contact Hilti for further technical details.

These drawings are intended to be representational of tests carried out. They are not intended as a full and complete test report. For exact test details, please contact Hilti directly.

multiple service penetration

Test Report UL WL-8013

Integrity up to 2hrs.

UL WL 8013

All errors and omissions excepted. All installations must be fully in accordance with Hilti application instructions. If in doubt contact Hilti for further technical details.

Install Hilti CP 657 pressure-exerting graphite-based Intumescent Firestop Flexible Bricks around cable tray, bunched cable including telecom cable and metal, insulated metal and plastic pipes in solid walls and floors and drywall from 200mm thick with an expansion ratio of 1 : 5 providing dust, fibre, asbestos, halogen and solvent-free installation for gas and airtight temporary or permanent firestopping with temperature resistance of -50 to +60 deg C for up to 3 hours integrity and insulation when subjected to the test conditions of BS 476 pt 20/prEN 1366 and after age testing to DafStb guidelines. Installation to be in full accordance with Hilti application instructions.

Hilti (Gt. Britain) Limited
 1 Trafford Wharf Road
 Trafford Park, Manchester M17 1BY
 Freephone: 0800 886 100
 Freefax: 0800 866 200

The test utilised the general principles of BS476: Part20: 1987, in conjunction with additional guidelines adopted from the draft document CEN/TC 127 N579

These drawings are intended to be representational of tests carried out. They are not intended as a full and complete test report. For exact test details, please contact Hilti directly.