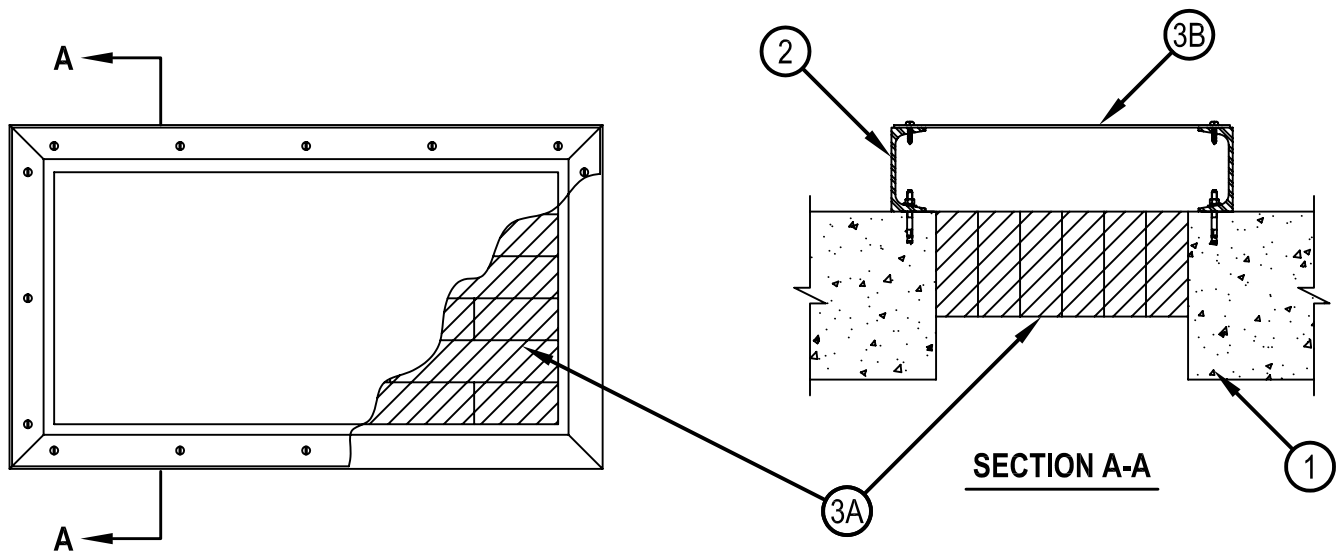


System No. C-BJ-0022
F Rating -- 2 Hr
T Rating - 0 and 2 Hr (See Item 3B)



1. Floor or Wall Assembly -- Min 8 in. thick reinforced lightweight or normal weight (100-150 pcf) concrete. Max area of opening is 288 sq. in. with max dimension of 24 in.
- 1A. Floor Assembly - (Optional - Not Shown) -- The fire rated unprotected concrete and steel floor assembly shall be constructed of the materials and in the manner specified in the individual D900 Series designs in the UL Fire Resistance Directory and as summarized below:
 - A. Concrete -- Min 8 in thick reinforced lightweight or normal weight (100-150 pcf) concrete.
 - B. Steel Floor and Form Units* -- Composite or non-composite max 3 in. deep galv steel fluted units as specified in the individual Floor-Ceiling Design.
2. Sheathing -- Nom 1-1/2 by 4 by 3/16 in. thick steel channel shaped members secured to the concrete (Item 1) by means of 1/4 in. diam by 1-1/4 in. long steel concrete screw fasteners spaced 6 to 8 in. OC. The sheathing shall completely enclose the perimeter of the opening on top surface of floor assembly and one surface of wall assembly for asymmetrical systems and both surfaces of wall assembly for symmetrical systems.
3. Firestop System -- The firestop system may be installed as an asymmetrical system in a floor and symmetrical or asymmetrical in a wall assembly. The firestop system shall consist of the following items:
 - A. Fill, Void or Cavity Materials* - Fire Blocks -- Fire blocks installed with 5 in. dimension projecting through opening, flush with the top surface of concrete floor or either surface of concrete wall. Blocks to completely fill the entire area of the opening.
 HILTI CONSTRUCTION CHEMICALS, DIV OF HILTI INC -- FS Fire Block
 - B. Steel Cover Plate (Optional) -- Min 0.026 in. thick (No. 22 MSG) steel plate shall be placed over the entire opening. Steel cover plate secured to the sheathing with 1/4-20 bolts spaced 5 to 7 in. OC. When cover plate is not used, the T Rating is 0 Hr.

*Bearing the UL Classification Mark



Reproduced by HILTI, Inc. Courtesy of
 Underwriters Laboratories, Inc.
 November 01, 2002

