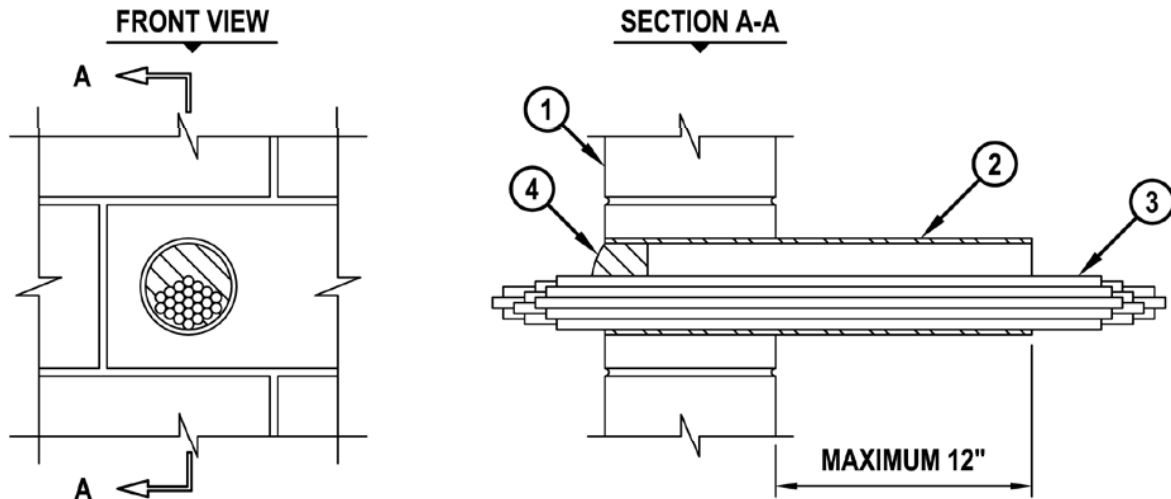


UL/cUL SYSTEM NO. W-J-3143
CABLE BUNDLE THROUGH 2-HR. CONCRETE WALL OR BLOCK WALL ASSEMBLY

F-RATING = 2-HR.
 T-RATING = 0-HR.



WJ3143b.050605

hilti.com

Through-Penetration

1. CONCRETE FLOOR OR WALL ASSEMBLY (2-HR. FIRE-RATING) :
 - A. LIGHTWEIGHT OR NORMAL WEIGHT CONCRETE FLOOR OR WALL (MINIMUM 4-1/2" THICK).
 - B. ANY UL/cUL CLASSIFIED CONCRETE BLOCK WALL.
2. [OPTIONAL] MAXIMUM 4" NOMINAL DIAMETER STEEL PIPE SLEEVE (SCHEDULE 5 OR HEAVIER). SLEEVE CAST OR GROUTED INTO WALL AND MAY EXTEND UP TO 12" BEYOND WALL SURFACE IN ANY COMBINATION (SEE NOTES NO. 3 AND 4 BELOW).
3. CABLE BUNDLE TO BE A COMBINATION OF ANY OF THE FOLLOWING :
 - A. MAXIMUM 300 PAIR NO. 24 AWG TELEPHONE CABLE WITH PVC JACKET.
 - B. MAXIMUM 750 KCMIL POWER CABLE WITH PVC JACKET.
 - C. MAXIMUM 7/C NO. 12 AWG POWER CABLE WITH PVC JACKET.
 - D. MAXIMUM 1/2" DIAMETER FIBER-OPTIC CABLE (MAXIMUM 24 FIBER).
 - E. MAXIMUM 3/C NO. 12 AWG METAL-CLAD CABLE WITH PVC JACKET.
 - F. MAXIMUM 1" DIAMETER METAL-CLAD TEK CABLE WITH PVC JACKET.
4. ONE HILTI CP 658T FIRESTOP PLUG CUT TO FIT AROUND THE CABLE BUNDLE AND INSTALLED TIGHTLY WITHIN SLEEVE SUCH THAT THE OUTER CIRCUMFERENCE OF THE DOME SHAPED PLUG IS FLUSH WITH EITHER END OF SLEEVE.

NOTES : 1. MAXIMUM DIAMETER OF OPENING = 4-1/2".
 2. CABLES TO FILL MAXIMUM 50% OF CROSS-SECTIONAL AREA OF THE OPENING.
 3. ANNULAR SPACE = MINIMUM 0", MAXIMUM 1".
 4. SLEEVE IS REQUIRED WHEN WALL IS CONSTRUCTED OF CONCRETE BLOCKS.
 5. SLEEVE TO BE RIGIDLY SUPPORTED WHEN EXTENDING MORE THAN 6" BEYOND WALL SURFACE.