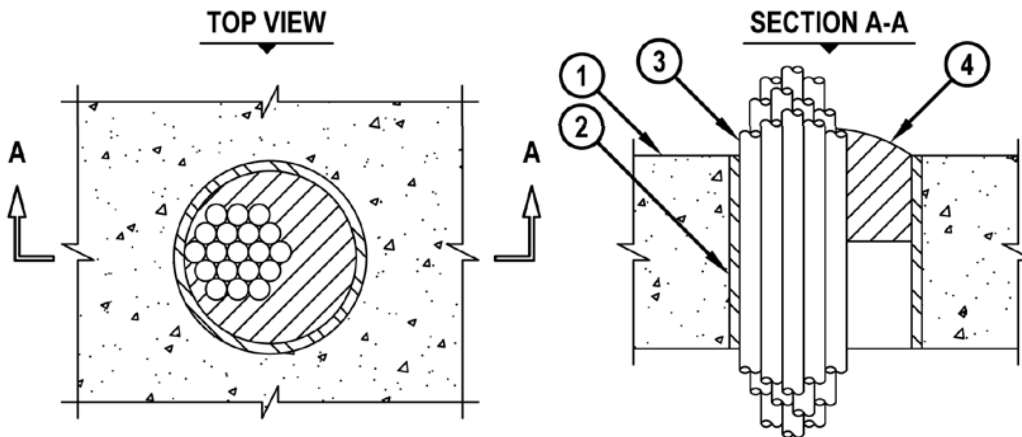


UL/cUL SYSTEM NO. C-AJ-3216

**CABLE BUNDLE THROUGH CONCRETE FLOOR/WALL OR BLOCK WALL ASSEMBLY**F-RATING = 2-HR.  
T-RATING = 0 AND 1/2-HR.

CAJ3216c.060804

1. CONCRETE FLOOR OR WALL ASSEMBLY (2-HR. FIRE-RATING) :
  - A. LIGHTWEIGHT OR NORMAL WEIGHT CONCRETE FLOOR OR WALL (MIN. 4-1/2" THICK).
  - B. ANY UL/cUL CLASSIFIED CONCRETE BLOCK WALL.
2. OPTIONAL : MAXIMUM 4" NOMINAL DIAMETER STEEL PIPE SLEEVE (SCHEDULE 5 OR HEAVIER), STEEL CONDUIT, EMT, OR PVC PLASTIC PIPE SLEEVE (SCHEDULE 40 OR HEAVIER) CAST OR GROUTED INTO FLOOR OR WALL ASSEMBLY.
3. CABLE BUNDLE TO BE A COMBINATION OF ANY OF THE FOLLOWING :
  - A. MAXIMUM 300 PAIR NO. 24 AWG TELEPHONE CABLE WITH PVC INSULATION AND JACKET.
  - B. MAXIMUM 750 KCMIL POWER CABLE WITH THERMOPLASTIC INSULATION AND PVC JACKET.
  - C. MAXIMUM 7/C NO. 12 AWG POWER CABLE WITH PVC OR XLPE INSULATION AND PVC JACKET.
  - D. MAXIMUM 1/2" DIAMETER FIBER-OPTIC CABLE (MAXIMUM 24 FIBER).
  - E. MAXIMUM 3/C NO. 12 AWG METAL-CLAD CABLE WITH PVC JACKET.
  - F. MAXIMUM 1" DIAMETER METAL-CLAD TEK CABLE WITH PVC JACKET.
  - G. MAXIMUM 2/0 ALUMINUM SER CABLE.
  - H. RG 59 COAXIAL CABLE WITH PE INSULATION AND PVC JACKET.
4. HILTI CP 658T FIRESTOP PLUG CUT TO FIT AROUND THE CABLE BUNDLE AND INSTALLED TIGHTLY WITHIN SLEEVE, SUCH THAT THE OUTER CIRCUMFERENCE OF THE DOME SHAPED PLUG IS FLUSH WITH THE TOP SURFACE OF THE FLOOR OR SLEEVE.

- NOTES :**
1. MAXIMUM DIAMETER OF OPENING = 4".
  2. ANNULAR SPACE = MINIMUM 0", MAXIMUM 3".
  3. CABLES TO FILL MAXIMUM 60% OF CROSS-SECTIONAL AREA OF OPENING.
  4. OPTIONAL : HILTI CP 618 FIRESTOP PUTTY STICK MAY BE FORCED INTO INTERSTICES OF CABLES.
  5. STEEL SLEEVES MAY EXTEND MAXIMUM 2" BEYOND TOP SURFACE OF FLOOR OR BOTH SURFACES OF WALL.
  6. HILTI CP 658T FIRESTOP PLUG IS REQUIRED ON BOTH SIDES OF A WALL ASSEMBLY.

**Hilti. Outperform. Outlast.**