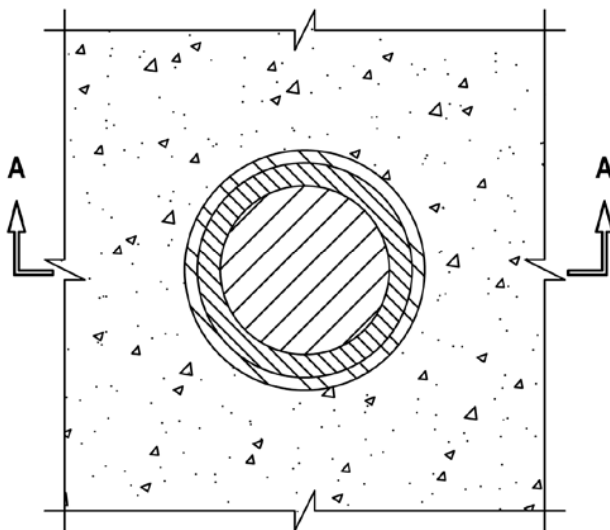


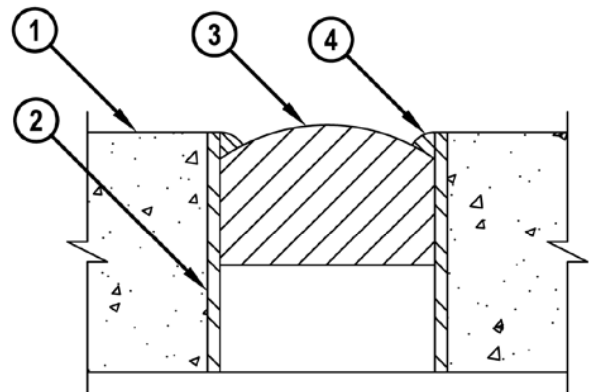
UL/cUL SYSTEM NO. C-AJ-0097
BLANK OPENING IN CONCRETE FLOOR/WALL OR BLOCK WALL ASSEMBLY

F-RATING = 2-HR.
 T-RATING = 0 AND 1/2-HR.
 L-RATING AT AMBIENT = LESS THAN 1 CFM/SQ. FT.
 L-RATING AT 400°F = LESS THAN 1 CFM/SQ. FT.

TOP VIEW



SECTION A-A



1. CONCRETE FLOOR OR WALL ASSEMBLY (2-HR. FIRE-RATING) :
 - A. LIGHTWEIGHT OR NORMAL WEIGHT CONCRETE FLOOR OR WALL (MINIMUM 4-1/2" THICK).
 - B. ANY UL/cUL CLASSIFIED CONCRETE BLOCK WALL.
2. MAXIMUM 4" NOMINAL DIAMETER STEEL PIPE SLEEVE (SCHEDULE 40 OR HEAVIER). SLEEVE MAY EXTEND MAXIMUM 2" BEYOND TOP SURFACE OF FLOOR OR BOTH SURFACES OF WALL.
3. HILTI CP 658T FIRESTOP PLUG INSERTED INTO PIPE SLEEVE AND RECESSED TO ACCOMMODATE FIRESTOP PUTTY.
4. MINIMUM 1/2" BEAD HILTI CP 618 FIRESTOP PUTTY STICK APPLIED AROUND PERIPHERY OF FIRESTOP PLUG WHERE IT INTERFACES WITH INSIDE OF PIPE SLEEVE.

NOTES : 1. MAXIMUM DIAMETER OF OPENING = 4".
 2. HILTI CP 658T FIRESTOP PLUG AND CP 618 FIRESTOP PUTTY STICK IS REQUIRED ON BOTH SIDES OF A WALL ASSEMBLY.

CAJ0097d.090605

hilti.com

Through-Penetration